



**MODEL D4P16A
POWER DITCHER
PARTS LIST MANUAL**



**1900 NORTH STREET
MARYSVILLE, KANSAS 66508
(785) 562-5381**

ILLUSTRATED PARTS LIST

1

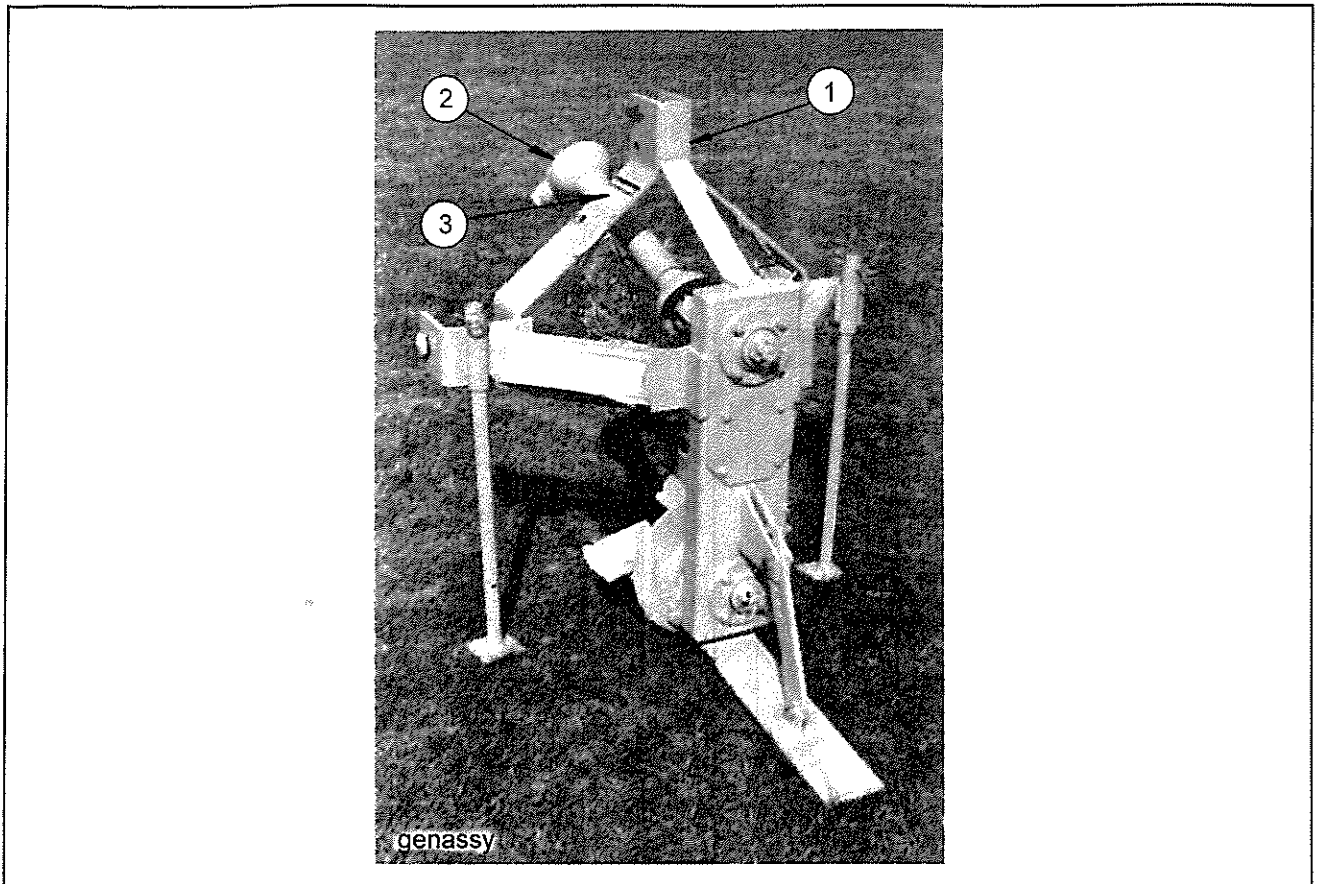


Figure 1-1 General Assembly

GENERAL ASSEMBLY

ITEM	PART/PAGE NO.	DESCRIPTION	QTY.
1	1-2 - 1-3	MAIN FRAME ASSEMBLY	
2	1-4	SHIELDED UNIVERSAL DRIVE SHAFT	
3	1-5 - 1-6	DECAL INSTALLATION	

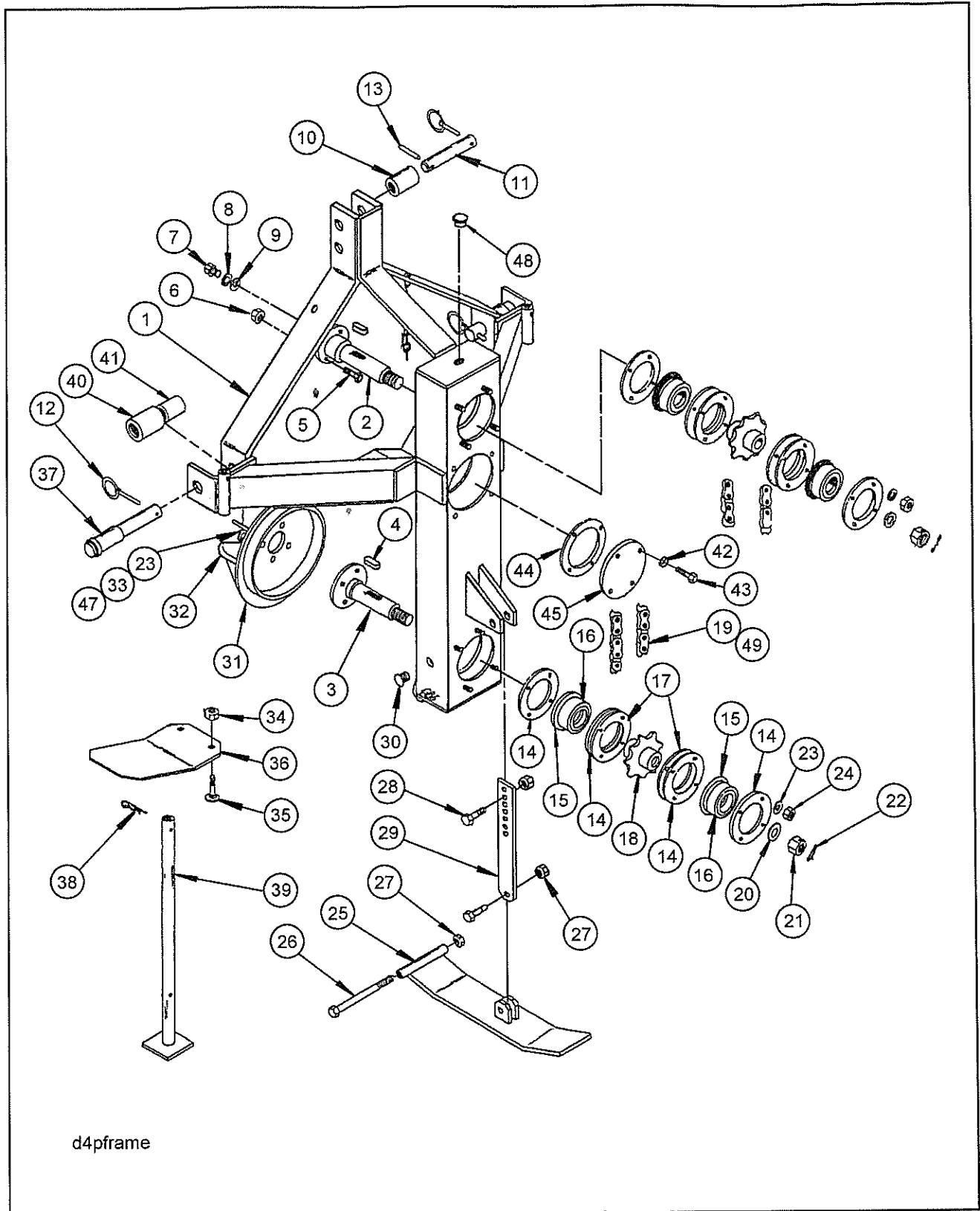


Figure 1-2 Main Frame Assembly

FRAME ASSEMBLY

ITEM	PART NO.	DESCRIPTION	QTY.
1	EO917	MAIN FRAME WELDMENT	1
2	E029	INPUT SHAFT	1
3	E030	OUTPUT SHAFT	1
4	EAI642	KEY	2
5	E10711AGCO	HEX BOLT 5/16 X 1-3/4 GR8	2
6	W915720-4	LOCK NUT 5/16-24	2
7	E10602	HEX BOLT 7/16 X 1 GR2	1
8	1-861-010034-12	WASHER, SPLIT LOCK 7/16	1
9	1-861-010032-15	WASHER, FLAT 1/2	1
10	E8193	BUSHING, 1" X .12 - 1-13/16 LONG	1
11	E100706	PIN, 3/4" DIA - 4-1/2 LONG	1
12	E10317	KLIK PIN, 1/4"	4
13	W933232	SPRING PIN, SLOTTED 5/16 X 2	1
14	017790	FLANGETTE	8
15	E7864	O-RING	4
16	E10771	BEARING	4
17	366273	GASKET, FLANGETTE	4
18	E1929	SPROCKET	2
19	7038-57	#80, 57 PITCHES	1
20	W920048-4	WASHER, 1-1/4	2
21	E10179	HEX NUT, 1-3/8 SLOTTED	2
22	W933221	SPRING PIN, 1/2 X 2	2
23	1-861-010034-13	WASHER, SPLIT LOCK 1/2	20
24	1-512-010007-09	NUT, HEX NUT 1/2	16
25	E0937	SKID	1
26	5/8-11X9 CS	SCREW, HEX HEAD CAP 5/8-11 X 9	1
27	103-0625	LOCK NUT, 5/8	3
28	1-654-010059-07	SCREW, HEX HEAD CAP 5/8-11 X 2-1/2 GR5	2
29	E100648	ADJUSTING BAR	1
30	W941049	PIPE PLUG 3/8 SOCKET H.D.	2
31	E025	HUB BLADE WELD	1
32	E100658	BLADE	4
33	E10498	LOCK NUT 1/2	8
34	1-512-010005-09	NUT, HEX LOCK 1/2	2
35	1-654-010070-03	SCREW, RD HEAD SQ NECK 1/2-13 X 1-1/2	2
36	E100699	DEFLECTOR	1
37	E0918	HITCH PIN	2
38	12412608	HAIR PIN	2
39	E0939	PARKING STAND	2
40	E100640	BUSHING, 1-7/16 X .156 - 2-3/4 LONG	2
41	E100661	SPACER 1-15/16 X 3/16 - 2-3/4 LONG	2
42	1-861-010034-11	WASHER, SPLIT LOCK 3/8	4
43	E10944	HEX BOLT, 3/8 X 3/4 GR5	4
44	E7865	GASKET, INSPECTION PLATE	1
45	E7861	INSPECTION PLATE	1
46	EPA74018	CUTTER HEAD ASSEMBLY (INCL. 31-33, 47)	1
47	E10705AGCO	HEX BOLT 1/2 X 1-1/4 GR5	12
48	1R907	PLUG VENT FOR GEAR BOX	1
49	7039-8	CONNECTOR LINK, #80	1
50	F-348	MANUAL, D4P POWER DITCHER OPER. (NOT SHOWN)	1

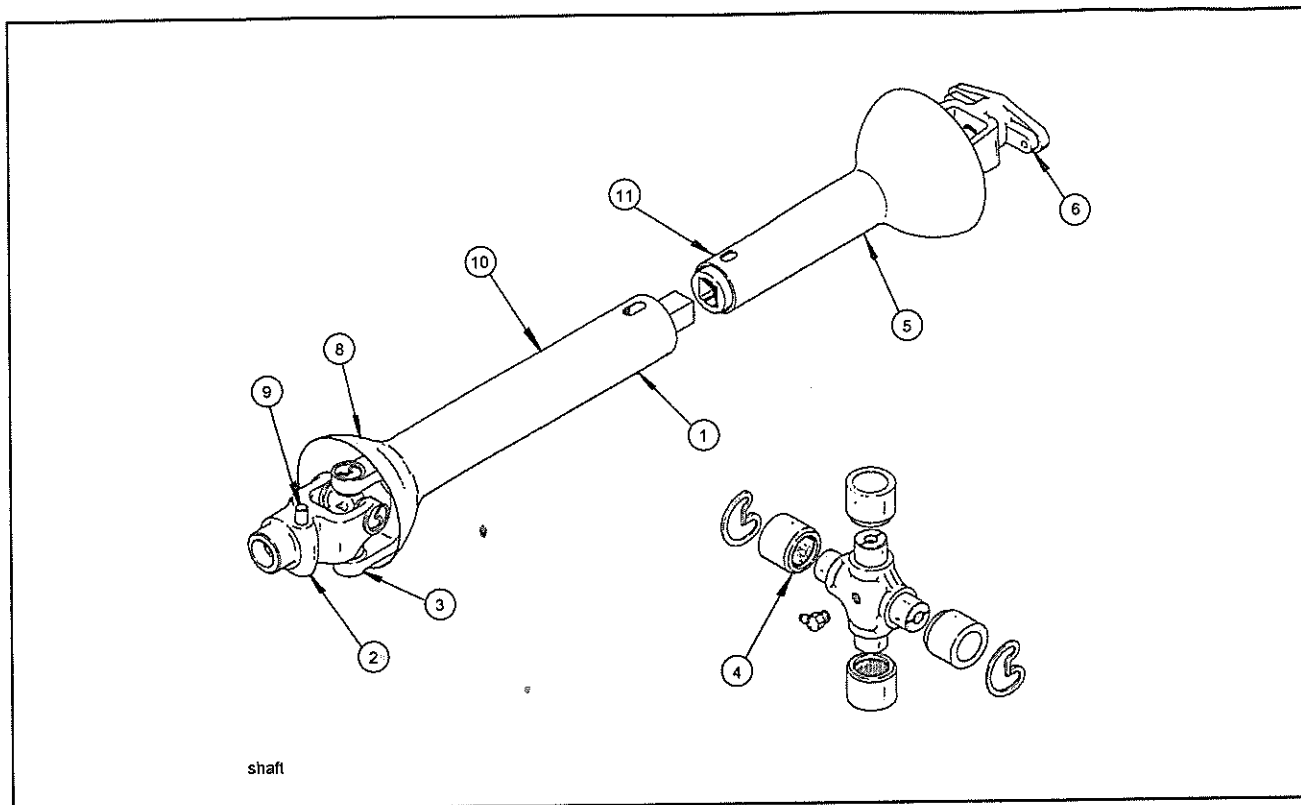


Figure 1-3 Shielded Universal Drive Shaft Assembly

SHIELDED UNIVERSAL DRIVE SHAFT ASSEMBLY

ITEM	PART NO.	DESCRIPTION	QTY.
	AI368	COMPLETE DRIVE SHAFT	1
1	1R61828	TRACTOR HALF ASSEMBLY	1
2	1R61815	YOKE	1
3	1R61816	YOKE AND SHAFT	1
4	1R620	CROSS REPAIR KIT	2
5	1R61829	MACHINE HALF ASSEMBLY	1
6	1R61818	SHEAR YOKE	1
7	1R61817	YOKE AND TUBE	1
8	1R61821	SHIELD BEARING	1
	1R61822	BEARING RING	1
9	1R61823	Q.D. PIN KIT	1
10	1R61820	OUTER SHIELD	1
11	1R61819	INNER SHIELD	1